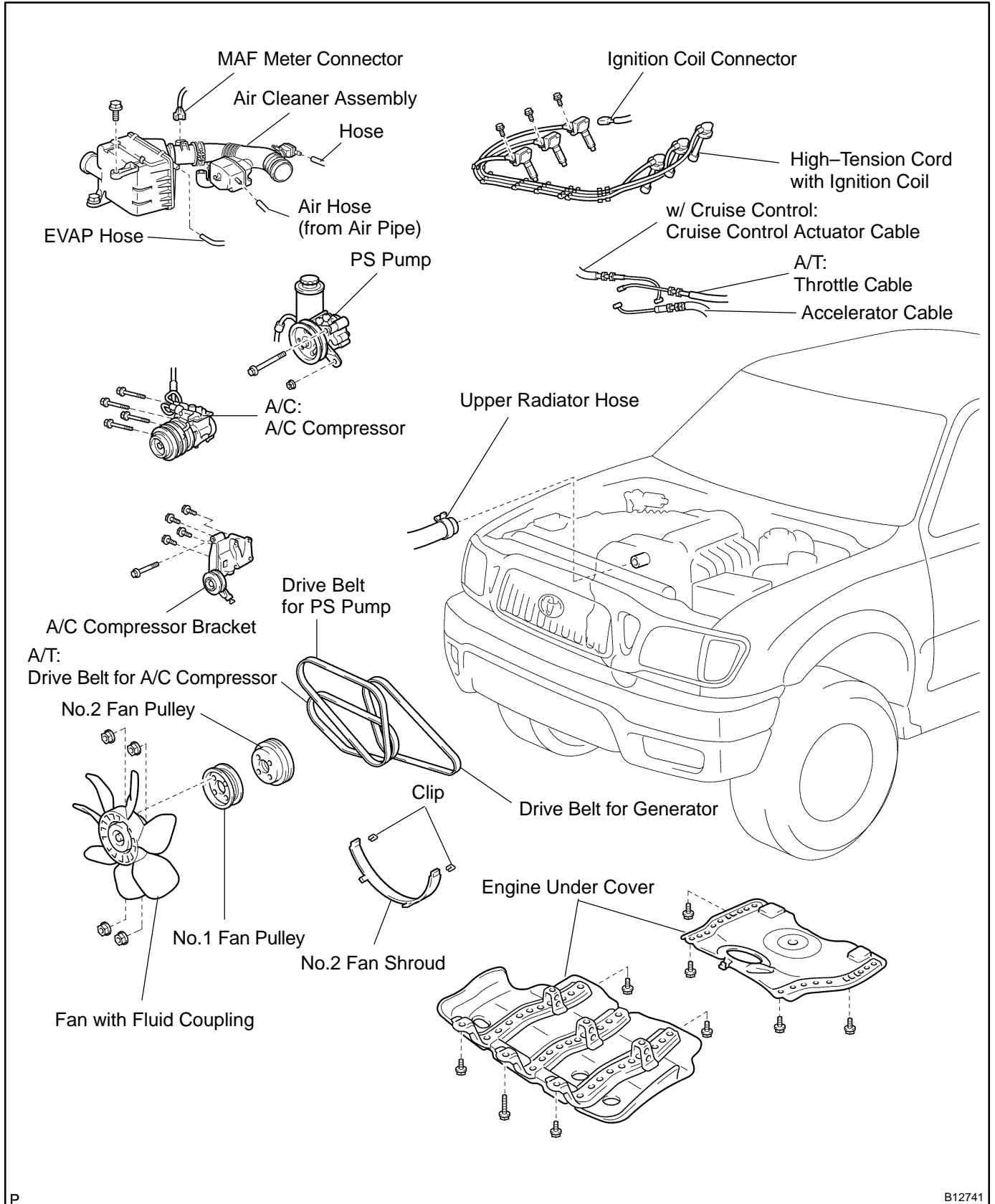


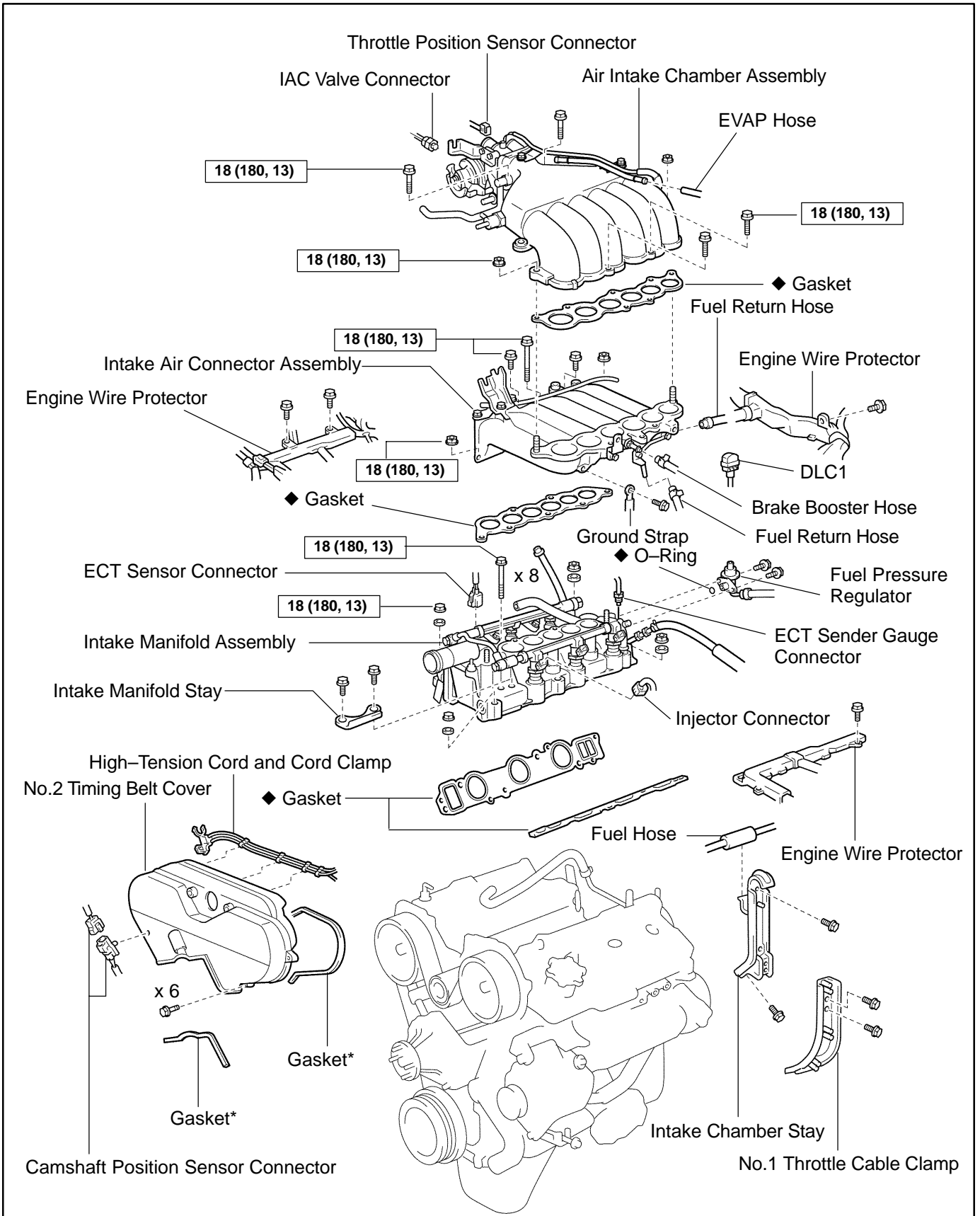
CYLINDER HEAD COMPONENTS

EM1N2-02



P

B12741

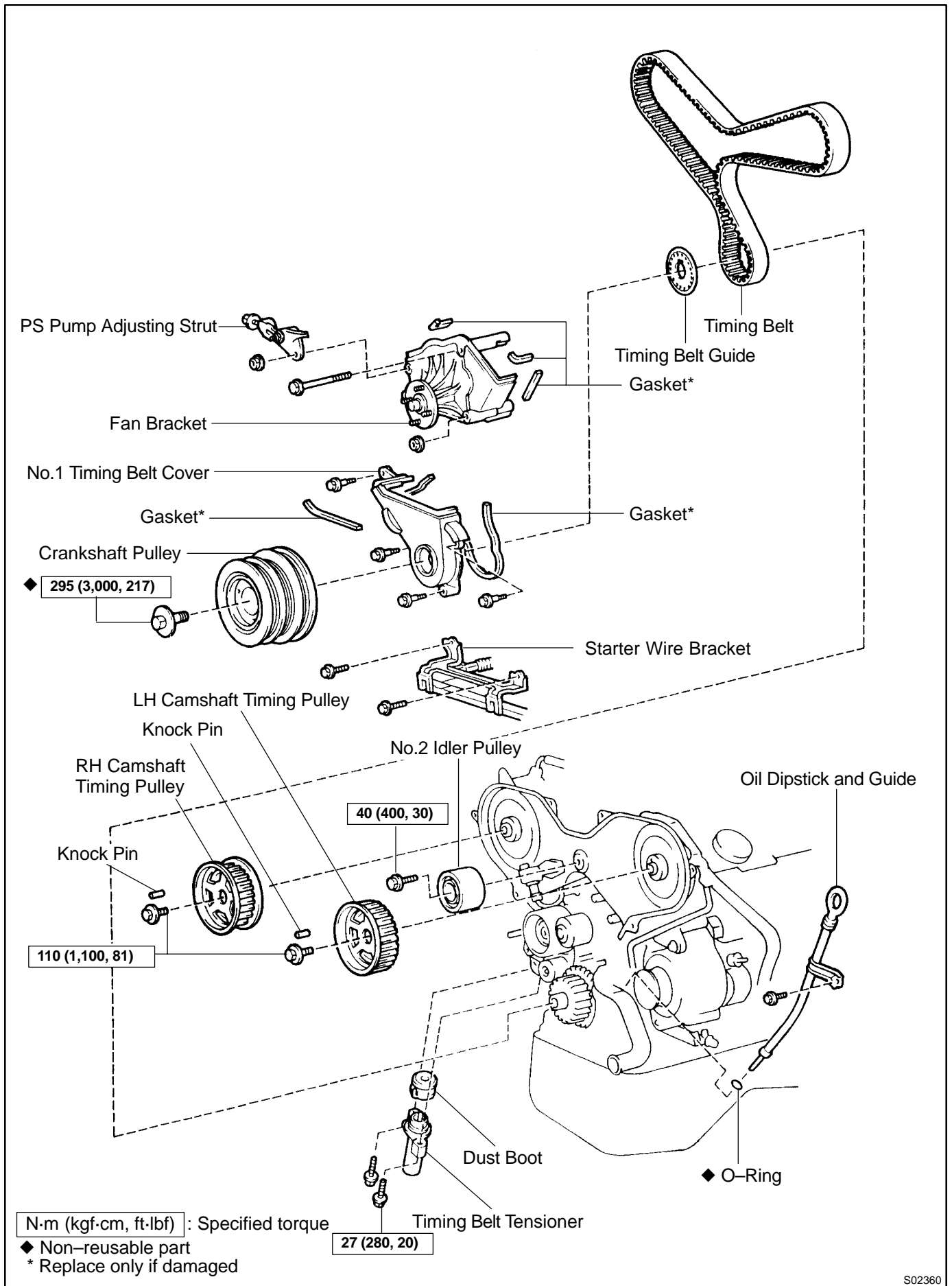


N·m (kgf·cm, ft·lbf) : Specified torque

◆ Non-reusable part

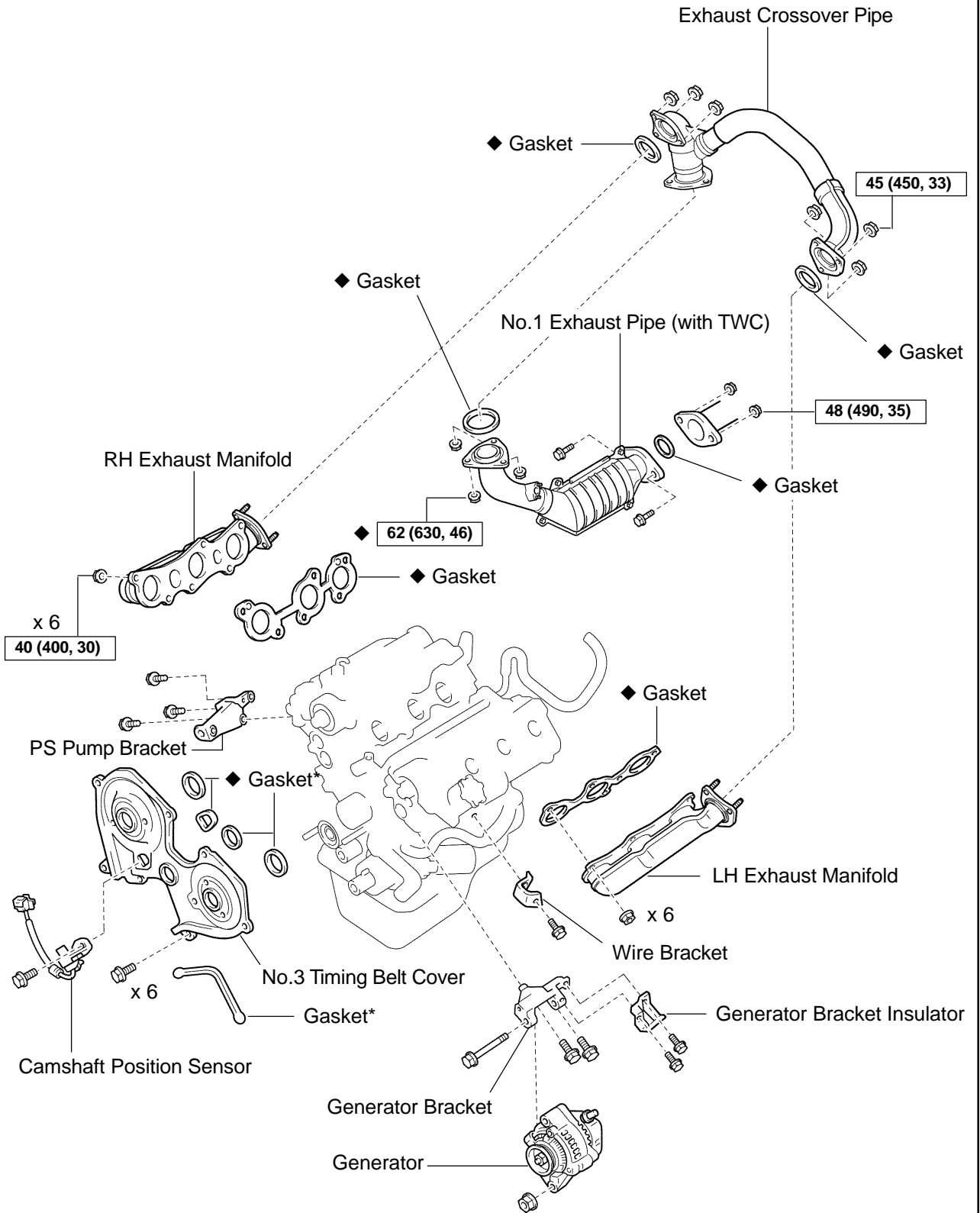
* Replace only if damaged

B13567



S02360

2WD, 4WD



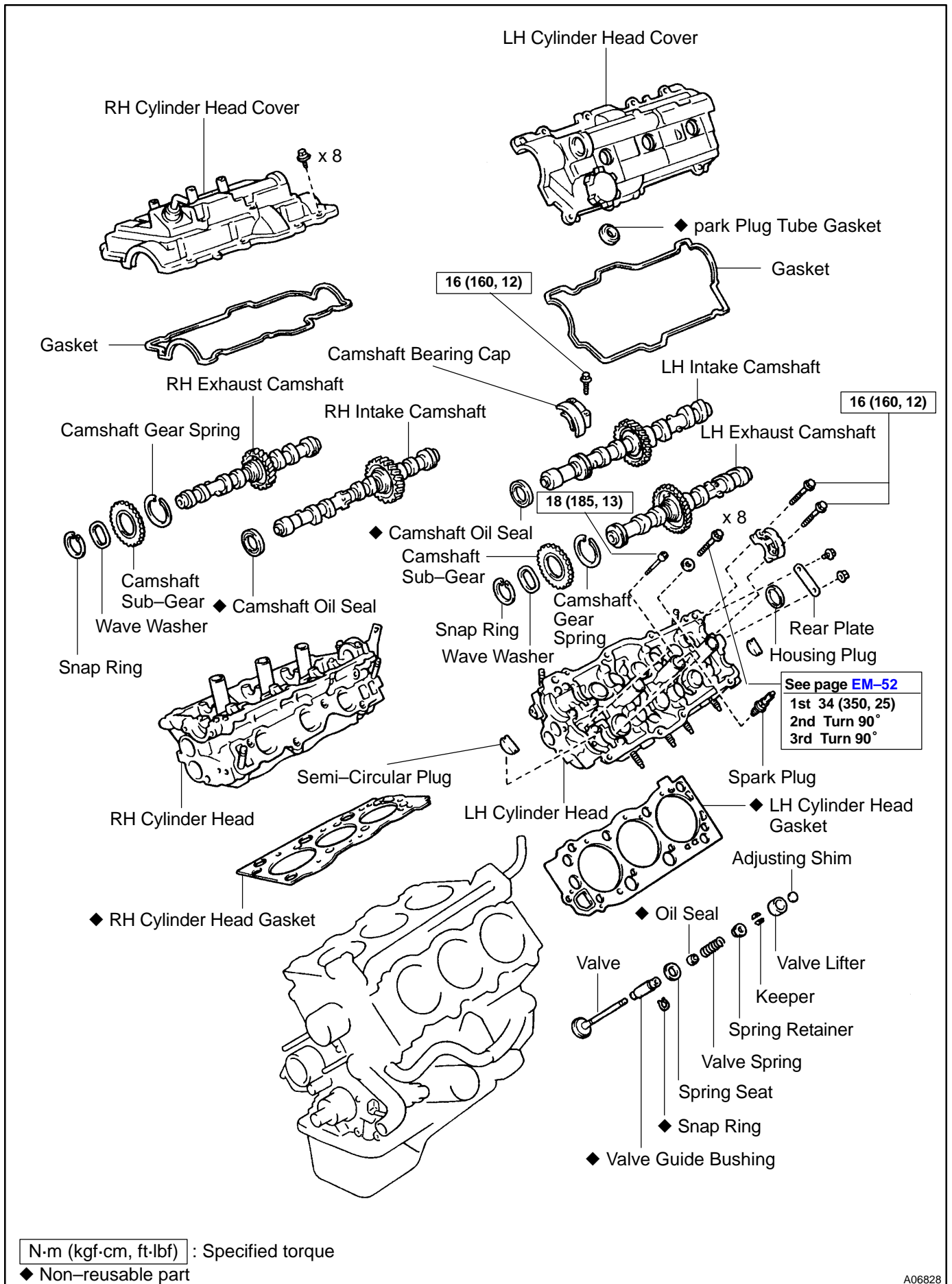
N·m (kgf·cm, ft·lbf) : Specified torque

◆ Non-reusable part

*Replace only if damaged

P

B13566



A06828